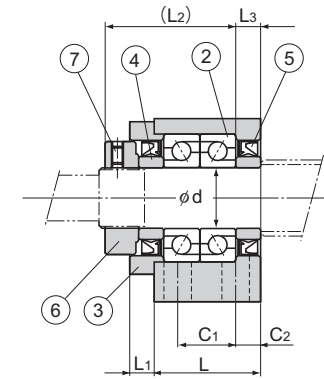
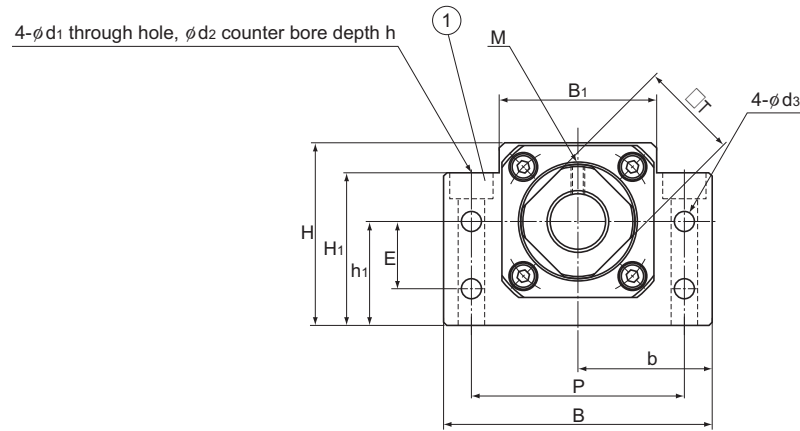


Model BK Square Type Support Unit on the Fixed Side



Unit: mm

Model No.	Shaft diameter d	L	L ₁	L ₂	L ₃	B	H	b ±0.02	h ₁ ±0.02	B ₁	H ₁	E	P	C ₁	C ₂	d _s	d ₁	d ₂	h	M	T	Bearing used	Mass kg
BK 10	10	25	5	29	5	60	39	30	22	34	32.5	15	46	13	6	5.5	6.6	10.8	5	M3	16	7000HTDFGMP5	0.39
BK 12	12	25	5	29	5	60	43	30	25	35	32.5	18	46	13	6	5.5	6.6	10.8	1.5	M3	19	7001HTDFGMP5	0.41
BK 15	15	27	6	32	6	70	48	35	28	40	38	18	54	15	6	5.5	6.6	11	6.5	M3	22	7002HTDFGMP5	0.57
BK 17	17	35	9	44	7	86	64	43	39	50	55	28	68	19	8	6.6	9	14	8.5	M4	24	7203HTDFGMP5	1.27
BK 20	20	35	8	43	8	88	60	44	34	52	50	22	70	19	8	6.6	9	14	8.5	M4	30	7004HTDFGMP5	1.19
BK 25	25	42	12	54	9	106	80	53	48	64	70	33	85	22	10	9	11	17.5	11	M5	35	7205HTDFGMP5	2.3
BK 30	30	45	14	61	9	128	89	64	51	76	78	33	102	23	11	11	14	20	13	M6	40	7206HTDFGMP5	3.32
BK 35	35	50	14	67	12	140	96	70	52	88	79	35	114	26	12	11	14	20	13	M8	50	7207DFGMP5	4.33
BK 40	40	61	18	76	15	160	110	80	60	100	90	37	130	33	14	14	18	26	17.5	M8	50	7208HTDFGMP5	6.5

Ball Screw Peripherals

Part No.	Part name	No. of units
1	Housing	1
2	Bearing	1 set
3	Holding lid	1
4	Collar	2
5	Seal	2
6	Lock Nut	1
7	Hexagonal socket-head setscrew (with a set piece)	1