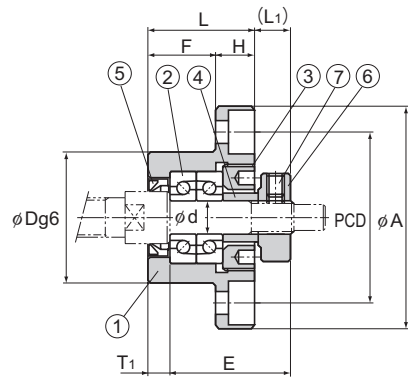
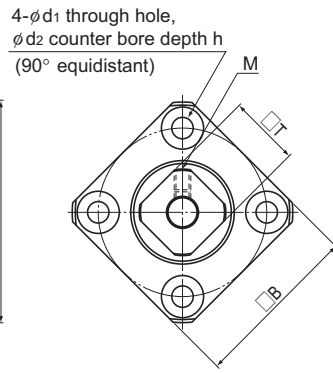


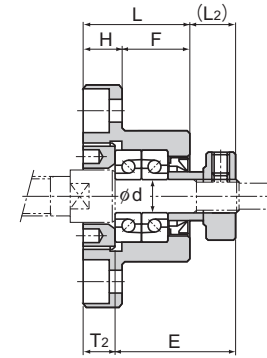
Model FK Round Type Support Unit on the Fixed Side



Mounting method A



Models FK 4 to 8



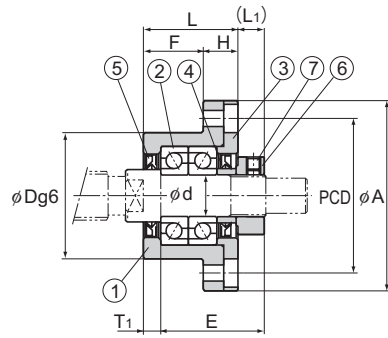
Mounting method B

Unit: mm

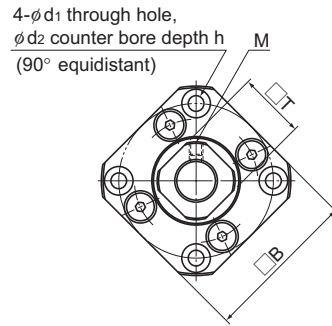
Model No.	Shaft diameter d	L	H	F	E	D	A	PCD	B	Installation procedure A		Installation procedure B		d ₁	d ₂	h	M	T	Bearing used	Mass kg
										L ₁	T ₁	L ₂	T ₂							
FK 4	4	15	6	9	17.5	18 -0.006 -0.017	32	24	25	5.5	3	6.5	4	3.4	6.5	4	M2.6	10	AC4-12P5	0.05
FK 5	5	16.5	6	10.5	18.5	20 -0.007 -0.02	34	26	26	5.5	3.5	7	5	3.4	6.5	4	M2.6	11	AC5-14P5	0.06
FK 6	6	20	7	13	22	22 -0.007 -0.02	36	28	28	5.5	3.5	8.5	6.5	3.4	6.5	4	M3	12	AC6-16P5	0.08
FK 8	8	23	9	14	26	28 -0.007 -0.02	43	35	35	7	4	10	7	3.4	6.5	4	M3	14	79M8DFGMP5	0.15

Part No.	Part name	No. of units
1	Housing	1
2	Bearing	1 set
3	Set nut	1
4	Collar	2
5	Seal	1
6	Lock Nut	1
7	Hexagonal socket-head setscrew (with a set piece)	1

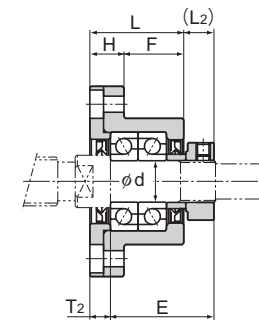
Model FK Round Type Support Unit on the Fixed Side



Mounting method A



Models FK 10 to 30



Mounting method B

Unit: mm

Model No.	Shaft diameter d	L	H	F	E	D	A	PCD	B	Installation procedure A		Installation procedure B		d ₁	d ₂	h	M	T	Bearing used	Mass kg
										L ₁	T ₁	L ₂	T ₂							
FK 10	10	27	10	17	29.5	34 -0.009 -0.025	52	42	42	7.5	5	8.5	6	4.5	8	4	M3	16	7000HTDFGMP5	0.21
FK 12	12	27	10	17	29.5	36 -0.009 -0.025	54	44	44	7.5	5	8.5	6	4.5	8	4	M3	19	7001HTDFGMP5	0.22
FK 15	15	32	15	17	36	40 -0.009 -0.025	63	50	52	10	6	12	8	5.5	9.5	6	M3	22	7002HTDFGMP5	0.39
FK 20	20	52	22	30	50	57 -0.01 -0.029	85	70	68	8	10	12	14	6.6	11	10	M4	30	7204HTDFGMP5	1.09
FK 25	25	57	27	30	60	63 -0.01 -0.029	98	80	79	13	10	20	17	9	15	13	M5	35	7205HTDFGMP5	1.49
FK 30	30	62	30	32	61	75 -0.01 -0.029	117	95	93	11	12	17	18	11	17.5	15	M6	40	7206HTDFGMP5	2.32

Part No.	Part name	No. of units
1	Housing	1
2	Bearing	1 set
3	Holding lid	1
4	Collar	2
5	Seal	2
6	Lock Nut	1
7	Hexagonal socket-head setscrew (with a set piece)	1